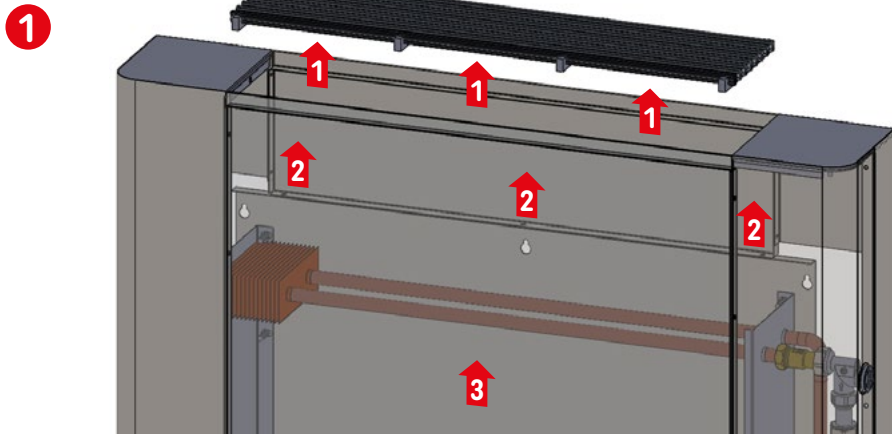




**CALIENTE**

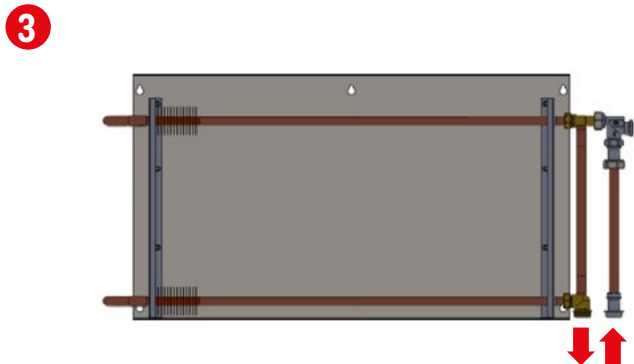
**CALIENTE LST WALL-MOUNTED CONVECTOR**  
Installation manual



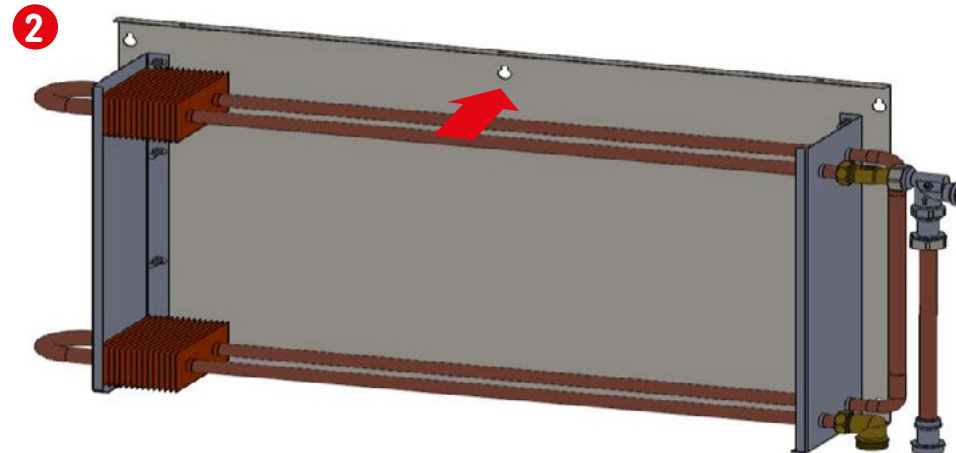
After receiving the heater, check it for completeness.

Then in order to install, disassemble the casing by performing the following steps:

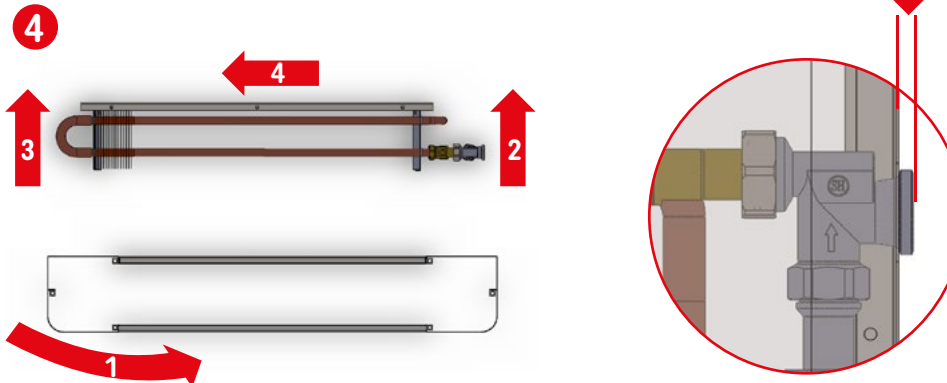
- Remove the grate (1),
- Unscrew the screws that fix the casing to the rear panel (2),
- Remove the casing (3).



After fitting the rear panel, connect the supplying system shown in picture, tightening the nuts which can be found on the supply and return ports. In order to connect the heating device to the system, the nuts must be countered.

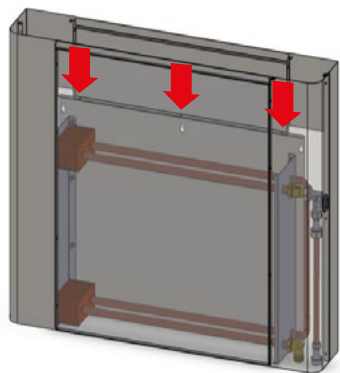


Fix the rear panel along with the attached exchanger to the wall by means of bolts and rawplugs supplied in the kit, at the places indicated in picture.

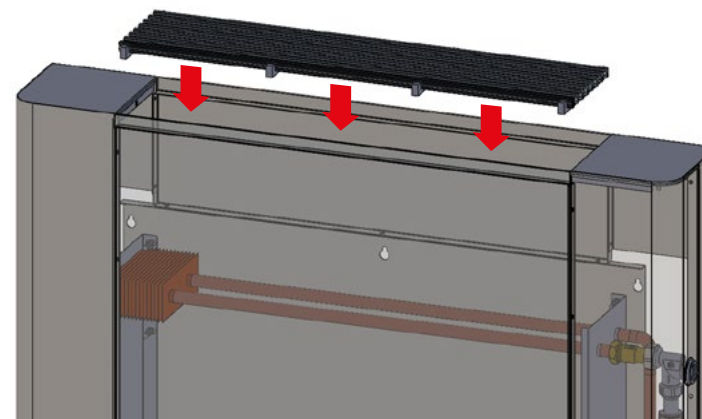


In the next step, install the casing in accordance with the diagram presented in picture, turning it, so that the valve is in the centre of the casing, and then level the casing with the rear panel. After placing and levelling the casing and the exchanger, the valve should protrude from the casing by approximately 5 mm.

5



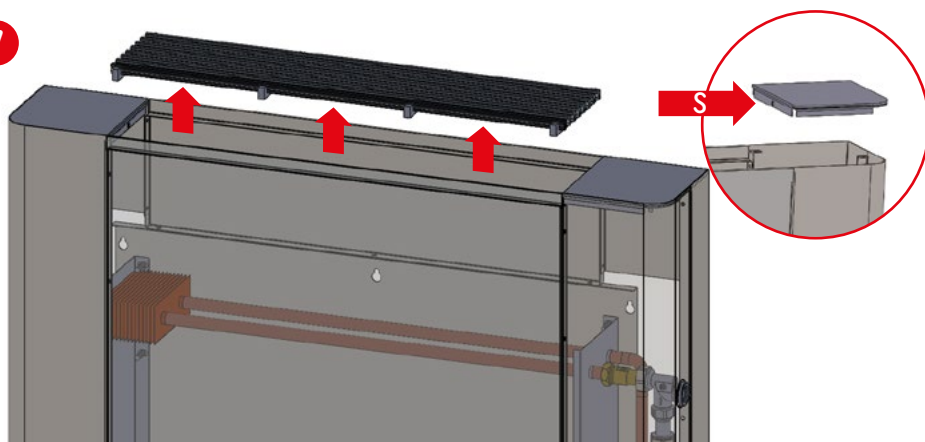
6



After the casing is placed with the panel and with the exchanger, install the casing with screws in the designated places shown in figure 6 by means of the screws supplied with the heater. The number of the fixing points may vary depending on the heater.

The last element is the grate which should be placed in the casing according to picture.

7



After the heater is connected to the system, vent it. For this purpose, remove the grate, and then disassemble the masking element, located on the valve side, by unscrewing the S screw and pulling the masking element out of the casing.

8



The heater is deaerated by unscrewing the screws located in the air-vent shown in picture. After deaerating, tighten the air-vent screw and replace the dismantled masking element and the grate.



If you have any questions or doubts concerning conducting installation works, please contact us.: tel.: +48 533009415 or e-mail: [wojciech@v-k.pl](mailto:wojciech@v-k.pl)