

VER-16S WiFi

ROOM TEMPERATURE CONTROLLER

VERANO
GLOBAL



WIRELESS CONTROL

TOUCHSCREEN

2 mm GLASS FRONT PANEL

Room temperature controller in white colour (VER-16S WiFi White)

DEDICATED TO:

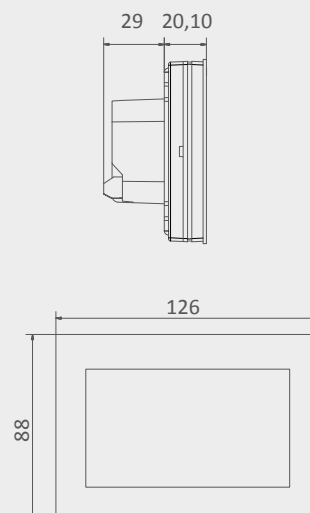
- natural convection trench heaters VK15, wall- and floor-mounted convector, COMODO heating bench

AVAILABLE FUNCTIONS:

- max control of 16 different zones
- each zone can be assigned its own individual operating model (constant temperature, time limit or 6 different work schedules)
- possibility of connecting peripheral wireless devices
- possibility of control via the eModul mobile application
- possibility of software update capability via USB port

FEATURES OF CONTROLLER:

- 2mm thick glass front panel
- wireless control (built-in WiFi module)
- flush mounting in electric box (Ø60 mm)
- built-in temperature sensor
- supplied by 230 V AC
- available in white or black colour



Room temperature controller in black colour (VER-16S WiFi Black)