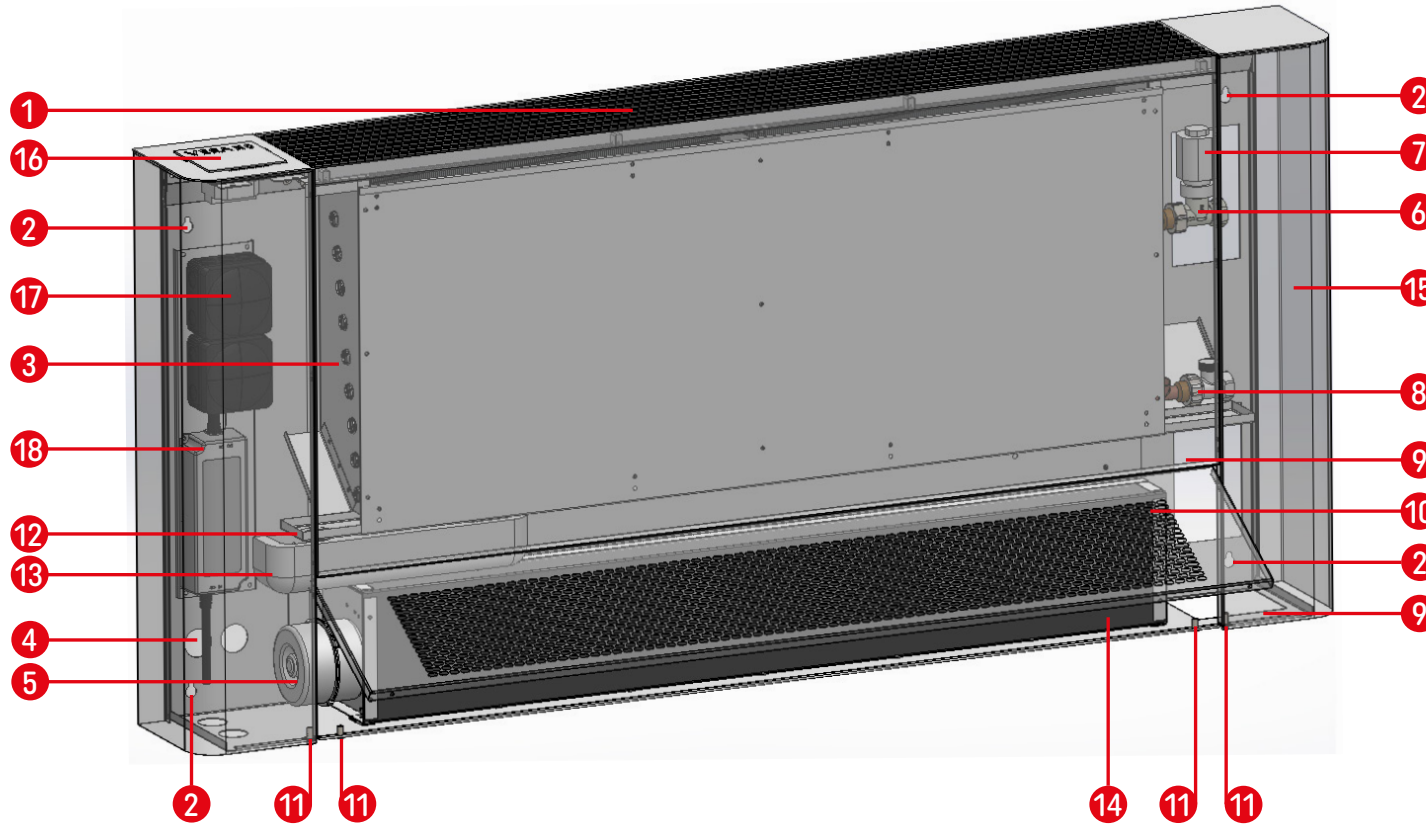


**WALL-MOUNTED HEATING AND COOLING UNIT  
PLUG&PLAY VERSION**

**NCVK2-60/14,7/L (L/P)**

# CONSTRUCTION



## List of elements:

- 1 – Linear grille painted powder coated in White RAL 9003
- 2 – Fixing slots
- 3 – Heat exchanger with back plate and air vent
- 4 – Opening slot for electric cables and condensate drains
- 5 – 24V DC EC Fan
- 6 – Thermostatic valve
- 7 – 24V AC/DC actuator
- 8 – Lockshield valve
- 9 – Opening slot for piping
- 10 – Fan service flap
- 11 – Screws securing the front casing to the back plate\*\*
- 12 – Condensate drain pan
- 13 – Condensate pump\*
- 14 – Anti dust filter\*
- 15 – Casing made of galvanized steel powder coated in White RAL 9003
- 16 – Room air temperature controller
- 17 – Junction box
- 18 – Power supply 230V AC – 24V DC

\* Note: Additional equipment, on request.

\*\* Note: The number of mounting points may vary depending on the length of the unit.

## WALL-MOUNTED HEATING AND COOLING UNIT PLUG&PLAY VERSION

NCVK2-60/14,7/L (L/P)

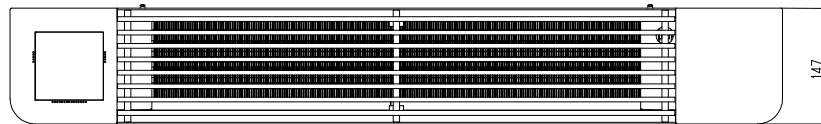
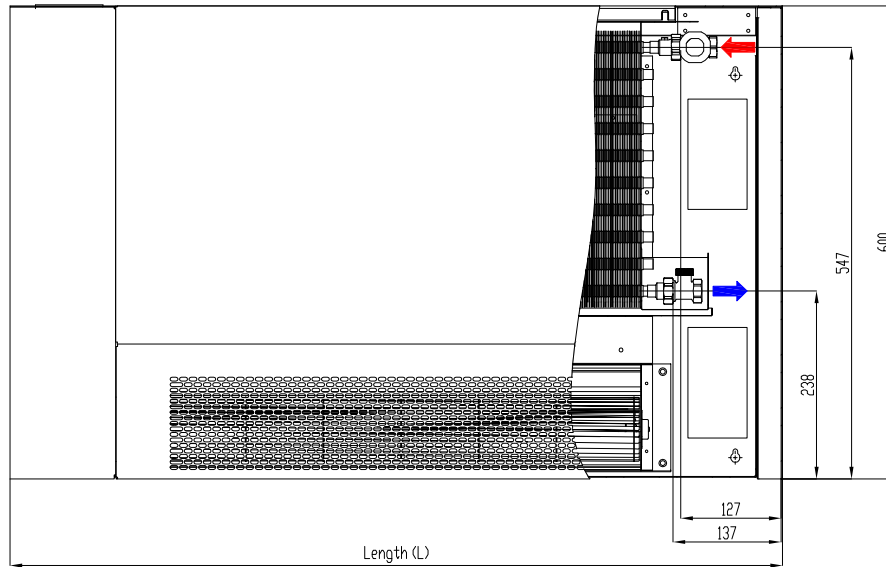
# TECHNICAL DATA

## DIMENSIONS

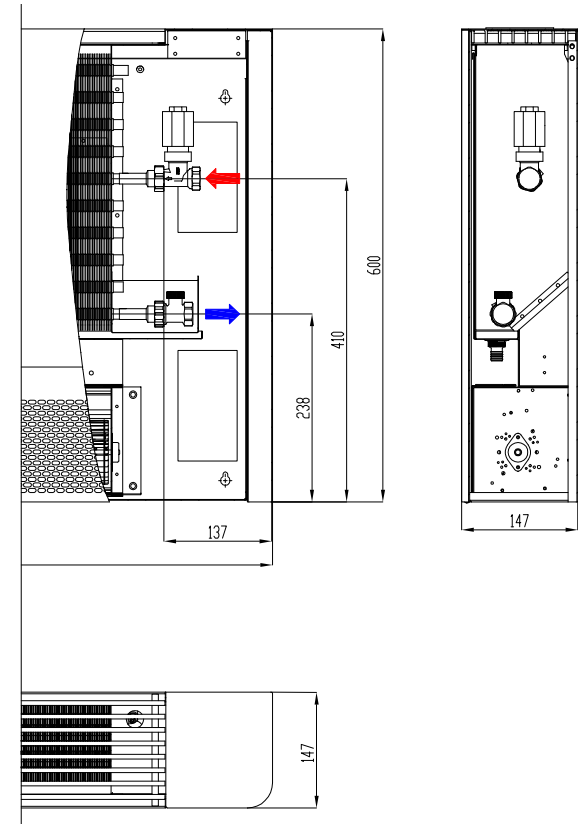
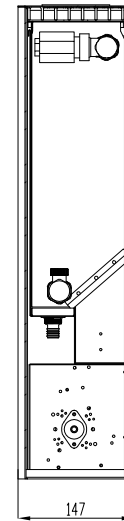
Height: 600mm  
Width: 147mm  
Length: 800-1570mm

## CONNECTIONS

Water connection side: Right (P) standard, Left (L) option  
Connection threads: ½" female thread  
← Supply / → Return



Note: Applies to lengths 800 and 980mm



Note: Applies to lengths 1270 and 1570mm

**WALL-MOUNTED HEATING AND COOLING UNIT  
PLUG&PLAY VERSION**

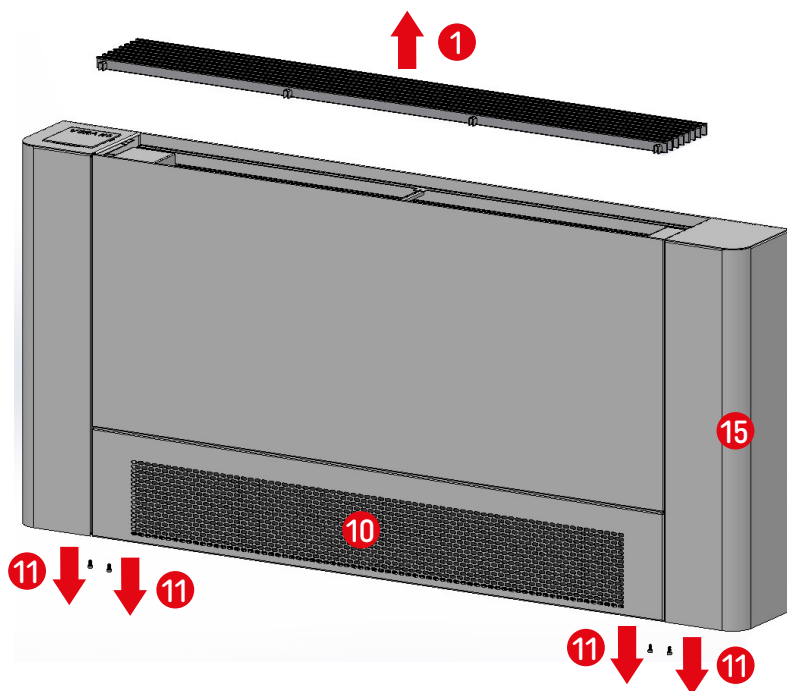
**NCVK2-60/14,7/L (L/P)**

# INSTALLATION MANUAL

1. In order to install the device, first remove the transport screws located in the upper part of the back plate and then proceed to dismantle the casing by following steps listed below:

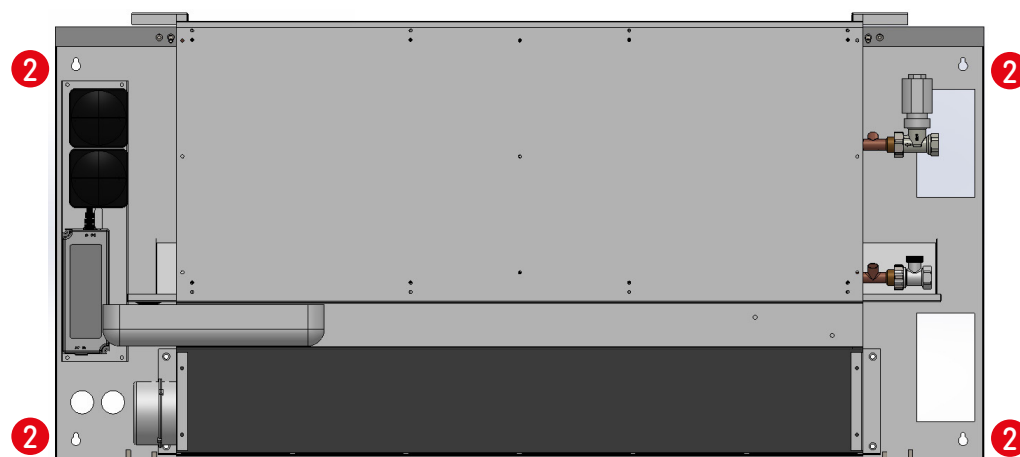
- remove the grille (1),
- unscrew the screws (11) securing the casing and the fan service flap to the back plate,
- open the fan service flap (10),
- remove the casing (15) by lifting it towards yourself and upwards at the same time.

**NOTE:** Please pay special attention when removing the casing to avoid damaging the controller wirings!



2. After dismantling the elements listed in point 1, proceed to the installation of the device on the wall. To do that follow the steps as below:

- measure and mark on the wall the location of the fixing points of the back plate (2),
- drill the holes in the wall for expansion bolt and fixing screws supplied with the device,
- hang and level the back plate on the wall.



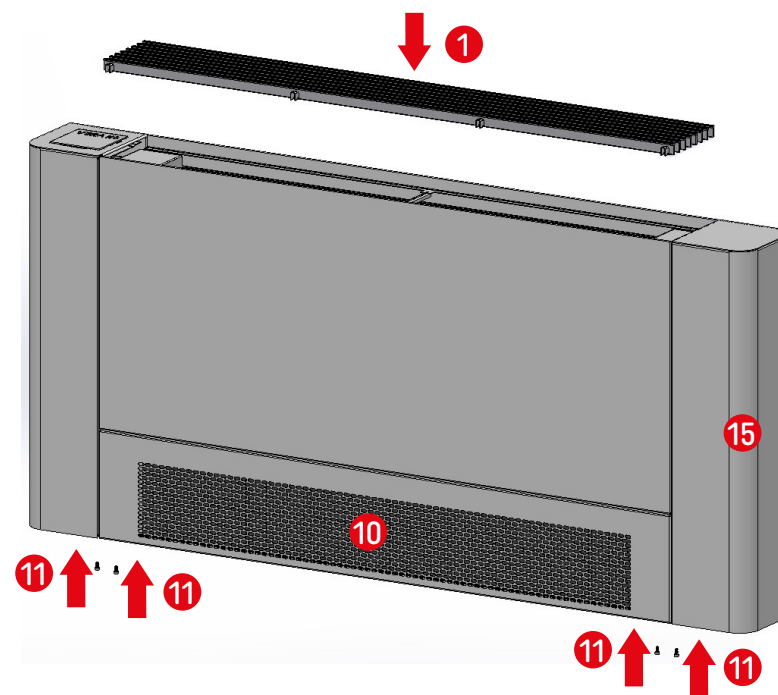
**WALL-MOUNTED HEATING AND COOLING UNIT  
PLUG&PLAY VERSION**

**NCVK2-60/14,7/L (L/P)**

# INSTALLATION MANUAL

3. Once the back plate is fixed, proceed with the water connections. Remember to insulate all pipes and valves to avoid condensation. Fit the supply connection to the stub pipe equipped with an air vent. The connection of the half unions with the rubber o-ring have to be tightened with a force not exceeding 28 Nm. After completing the plumbing work, perform a leak test and vent the device.

4. After the hydraulic connections, put the casing (15) back on the back plate. It is necessary to remember to screw the mounting screws (11) in the indicated places. In the last step place the grille (1) back on.



**WALL-MOUNTED HEATING AND COOLING UNIT  
PLUG&PLAY VERSION**

**NCVK2-60/14,7/L (L/P)**

# INSTALLATION MANUAL

## MAINTENANCE MANUAL

It is essential for the efficiency of the device to keep its interior clean. The device should be cleaned of dust that has settled on the heat exchanger and fans at least twice a year before heating and cooling season. To avoid failure of electrical components, make sure that no water or other liquids get inside. In case of using the dust filter, it is necessary to regularly check how dirty it is and clean it gently with a vacuum cleaner. It is recommended to clean the filter systematically at least once every 3 months or more often, or replace the filter with a new one if necessary. To remove the dust filter, unscrew the screws connecting the fan service flap with the back panel, open the fan service flap and unscrew the filter from the fan housing. Damage or improper operation resulting from contamination of the device interior is not subject to warranty repair or replacement.

To clean the inside of the device, follow the steps below:

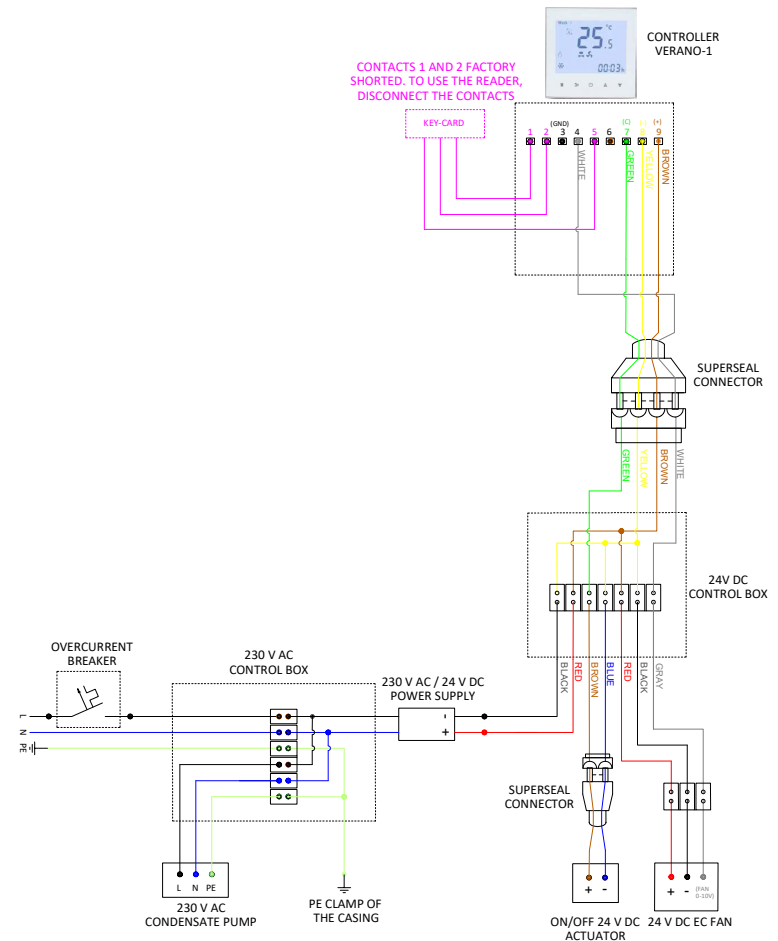
- disconnect the device from the power source,
- dismantle the grille and the casing of the device in accordance with point 1 of this manual,
- clean the unit elements from dust with a soft-bristle brush or compressed air,
- the remaining dirt should be cleaned with a slightly damp cloth without detergents,
- install the casing and the grille on the device in accordance with point 4 of this manual.

**NOTE:** During the heating period, perform maintenance on the cold device.

## WALL-MOUNTED HEATING AND COOLING UNIT PLUG&PLAY VERSION

NCVK2-60/14,7/L (L/P)

## ELECTRIC WIRING DIAGRAM



**NOTE:** Only properly skilled and trained personnel, holding licenses and observing applicable standards can install electric connections. Power can only be switched back on when the correctness of the whole wiring was checked and approved. Due to use of safe low voltage fans the heaters can only be powered by 24 V DC voltage. It is prohibited to connect the heaters directly to 230 V AC power grid.