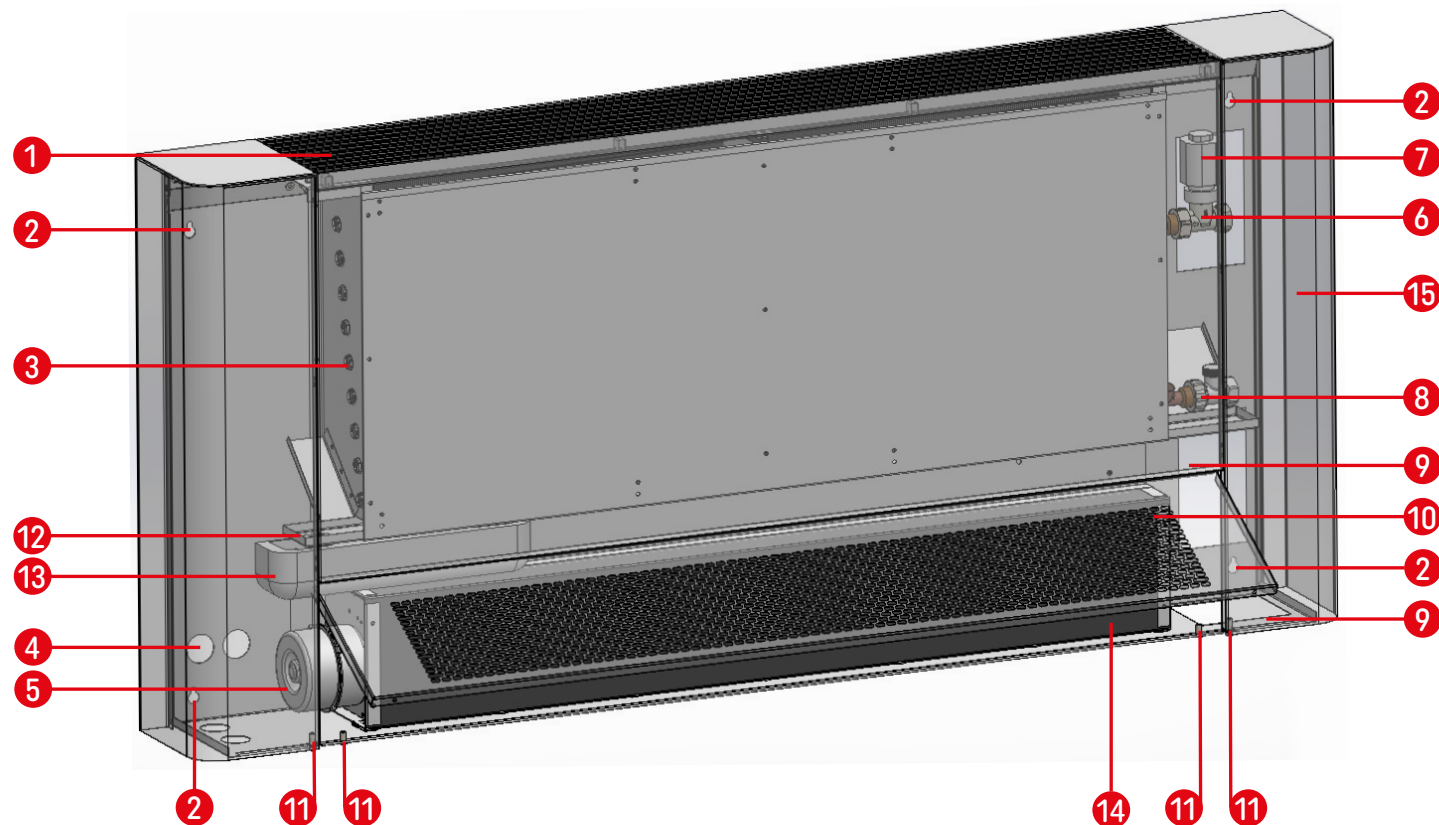


WALL-MOUNTED HEATING AND COOLING UNIT

NCVK2-60/14,7/L (L/P)

CONSTRUCTION



List of elements:

- 1 – Linear grille painted powder coated in White RAL 9003
- 2 – Fixing slots
- 3 – Heat exchanger with back plate and air vent
- 4 – Opening slot for electric cables and condensate drains
- 5 – 24V DC EC Fan
- 6 – Thermostatic valve*
- 7 – 24V AC/DC actuator*
- 8 – Lockshield valve*
- 9 – Opening slot for piping
- 10 – Fan service flap
- 11 – Screws securing the front casing to the back plate**
- 12 – Condensate drain pan
- 13 – Condensate pump*
- 14 – Anti dust filter*
- 15 – Casing made of galvanized steel powder coated in White RAL 9003

* Note: Additional equipment, on request.

** Note: The number of mounting points may vary depending on the length of the unit.

WALL-MOUNTED HEATING AND COOLING UNIT

NCVK2-60/14,7/L (L/P)

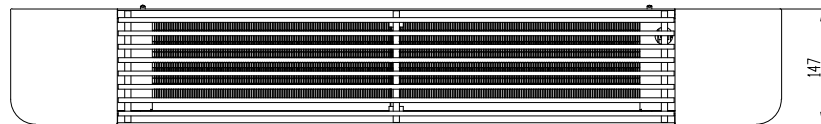
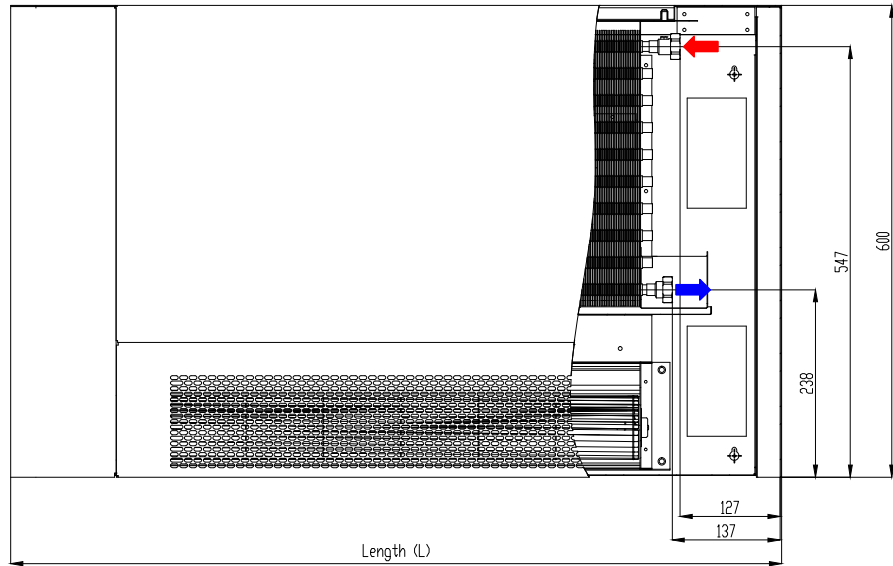
TECHNICAL DATA

DIMENSIONS

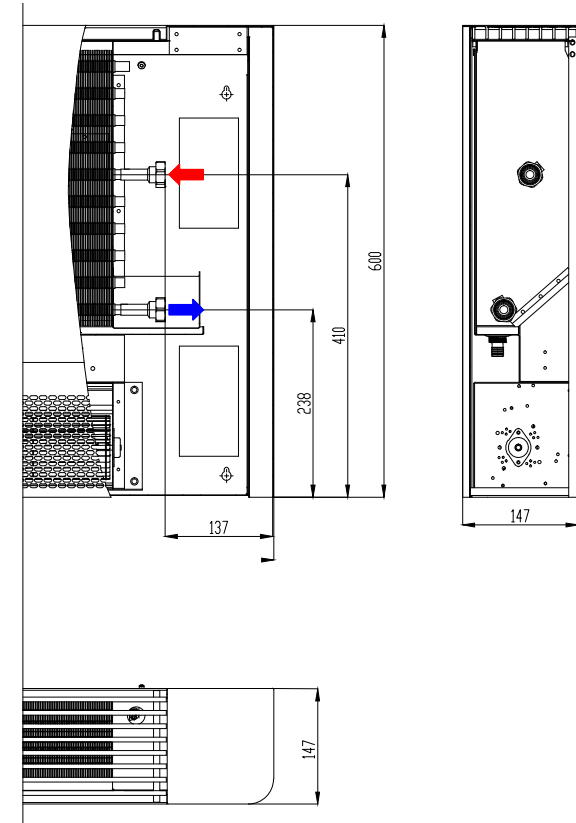
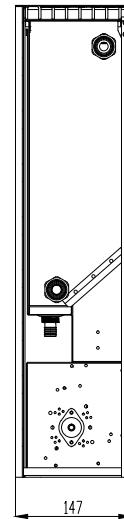
Height: 600mm
Width: 147mm
Length: 800-1570mm

CONNECTIONS

Water connection side: Right (P) standard, Left (L) option
Connection threads: 3/4" female thread
← Supply / → Return



Note: Applies to lengths 800 and 980mm



Note: Applies to lengths 1270 and 1570mm

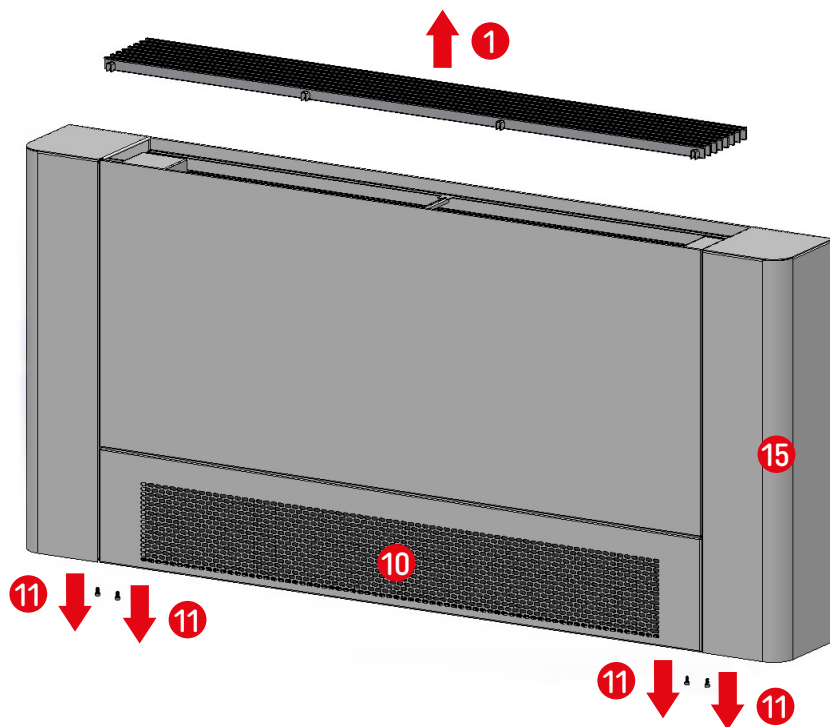
WALL-MOUNTED HEATING AND COOLING UNIT

NCVK2-60/14,7/L (L/P)

INSTALLATION MANUAL

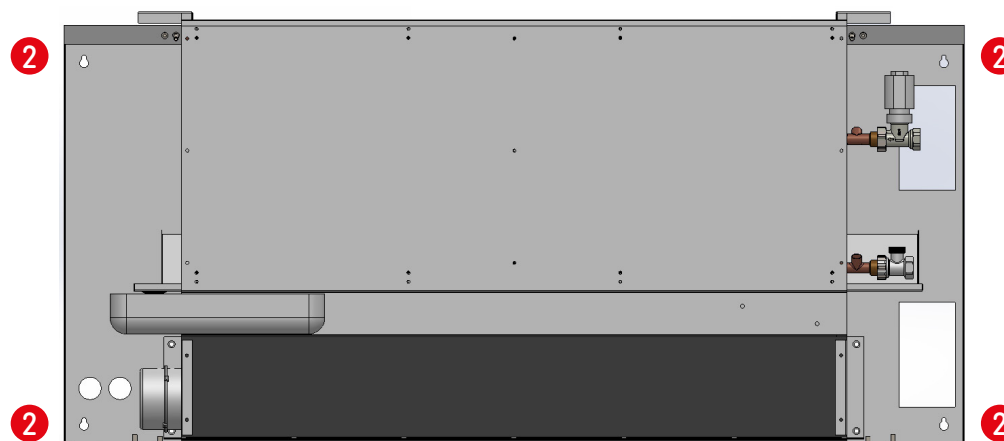
1. In order to install the device, first remove the transport screws located in the upper part of the back plate and then proceed to dismantle the casing by following steps listed below:

- remove the grille (1),
- unscrew the screws (11) securing the casing and the fan service flap to the back plate,
- open the fan service flap (10),
- remove the casing (15) by lifting it towards yourself and upwards at the same time.



2. After dismantling the elements listed in point 1, proceed to the installation of the device on the wall. To do that follow the steps as below:

- measure and mark on the wall the location of the fixing points of the back plate (2),
- drill the holes in the wall for expansion bolt and fixing screws supplied with the device,
- hang and level the back plate on the wall.



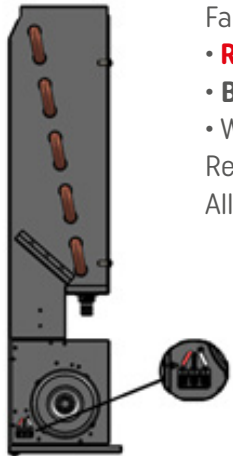
WALL-MOUNTED HEATING AND COOLING UNIT

NCVK2-60/14,7/L (L/P)

INSTALLATION MANUAL

3. Once the back plate is fixed, proceed with the water connections and install accessories such as valves, actuator, etc. Remember to insulate all pipes and valves to avoid condensation. Fit the supply connection to the stub pipe equipped with an air vent. The connection of the half unions with the rubber o-ring have to be tightened with a force not exceeding 28 Nm. After completing the plumbing work, perform a leak test and vent the device.

4. Next proceed with the electrical connections.



Fan electric connection:

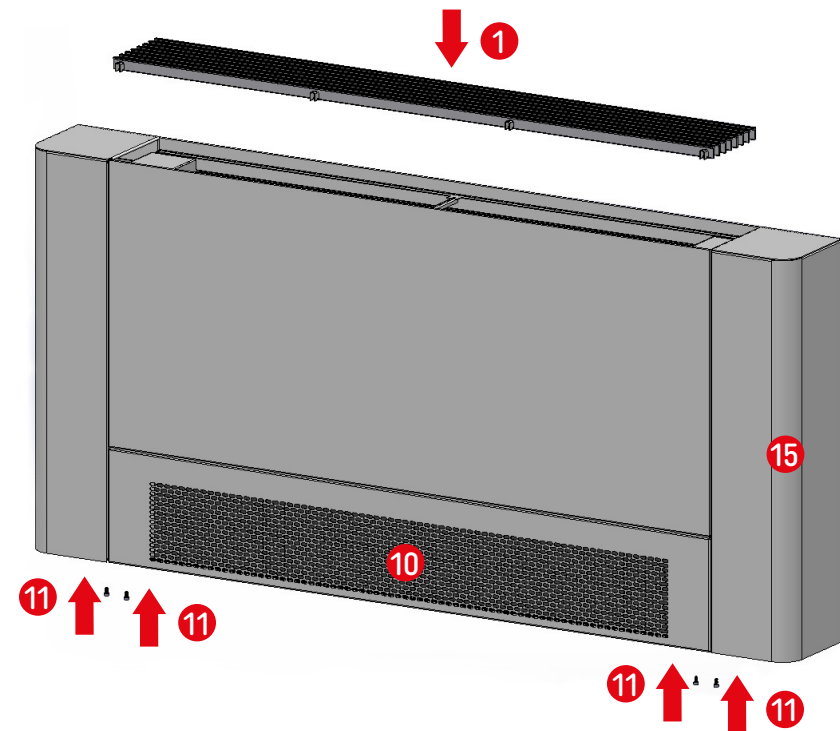
- **RED:** positive (+) 24 V DC
- **BLACK:** negative (-) 24 V DC
- **WHITE :** control voltage 0-10 V DC

Recommended wire type: **LIYCY**

Allowed wire type : **LIY**

Electrical wires routing should be done in accordance with the applicable standards of the electrical industry. The cable cross section should be determined in accordance with electrical installation project based on the voltage drop calculations for the planned wires routing. The electrical connection should be made according to the diagram attached on the last page of this manual. It is recommended to make electrical connections on the opposite side to the water connection.

5. After the hydraulic connections, put the casing (15) back on the back plate. It is necessary to remember to screw the mounting screws (11) in the indicated places. In the last step place the grille (1) back on.



WALL-MOUNTED HEATING AND COOLING UNIT

NCVK2-60/14,7/L (L/P)

INSTALLATION MANUAL

MAINTENANCE MANUAL

It is essential for the efficiency of the device to keep its interior clean. The device should be cleaned of dust that has settled on the heat exchanger and fans at least twice a year before heating and cooling season. To avoid failure of electrical components, make sure that no water or other liquids get inside. In case of using the dust filter, it is necessary to regularly check how dirty it is and clean it gently with a vacuum cleaner. It is recommended to clean the filter systematically at least once every 3 months or more often, or replace the filter with a new one if necessary. To remove the dust filter, unscrew the screws connecting the fan service flap with the back panel, open the fan service flap and unscrew the filter from the fan housing. Damage or improper operation resulting from contamination of the device interior is not subject to warranty repair or replacement.

To clean the inside of the device, follow the steps below:

- disconnect the device from the power source,
- dismantle the grille and the casing of the device in accordance with point 1 of this manual,
- clean the unit elements from dust with a soft-bristle brush or compressed air,
- the remaining dirt should be cleaned with a slightly damp cloth without detergents,
- install the casing and the grille on the device in accordance with point 5 of this manual.

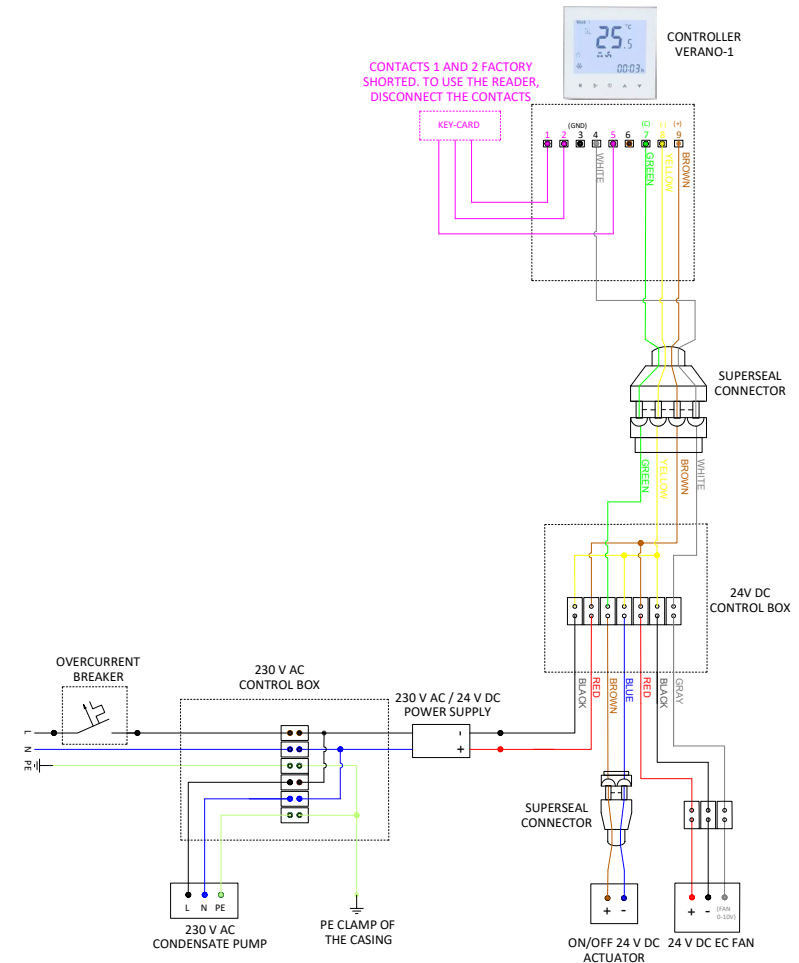
NOTE: During the heating period, perform maintenance on the cold device.

WALL-MOUNTED HEATING AND COOLING UNIT

NCVK2-60/14,7/L (L/P)

VERANO
G L O B A L

ELECTRIC WIRING DIAGRAM



NOTE: Only properly skilled and trained personnel, holding licenses and observing applicable standards can install electric connections. Power can only be switched back on when the correctness of the whole wiring was checked and approved. Due to use of safe low voltage fans the heaters can only be powered by 24 V DC voltage. It is prohibited to connect the heaters directly to 230 V AC power grid.