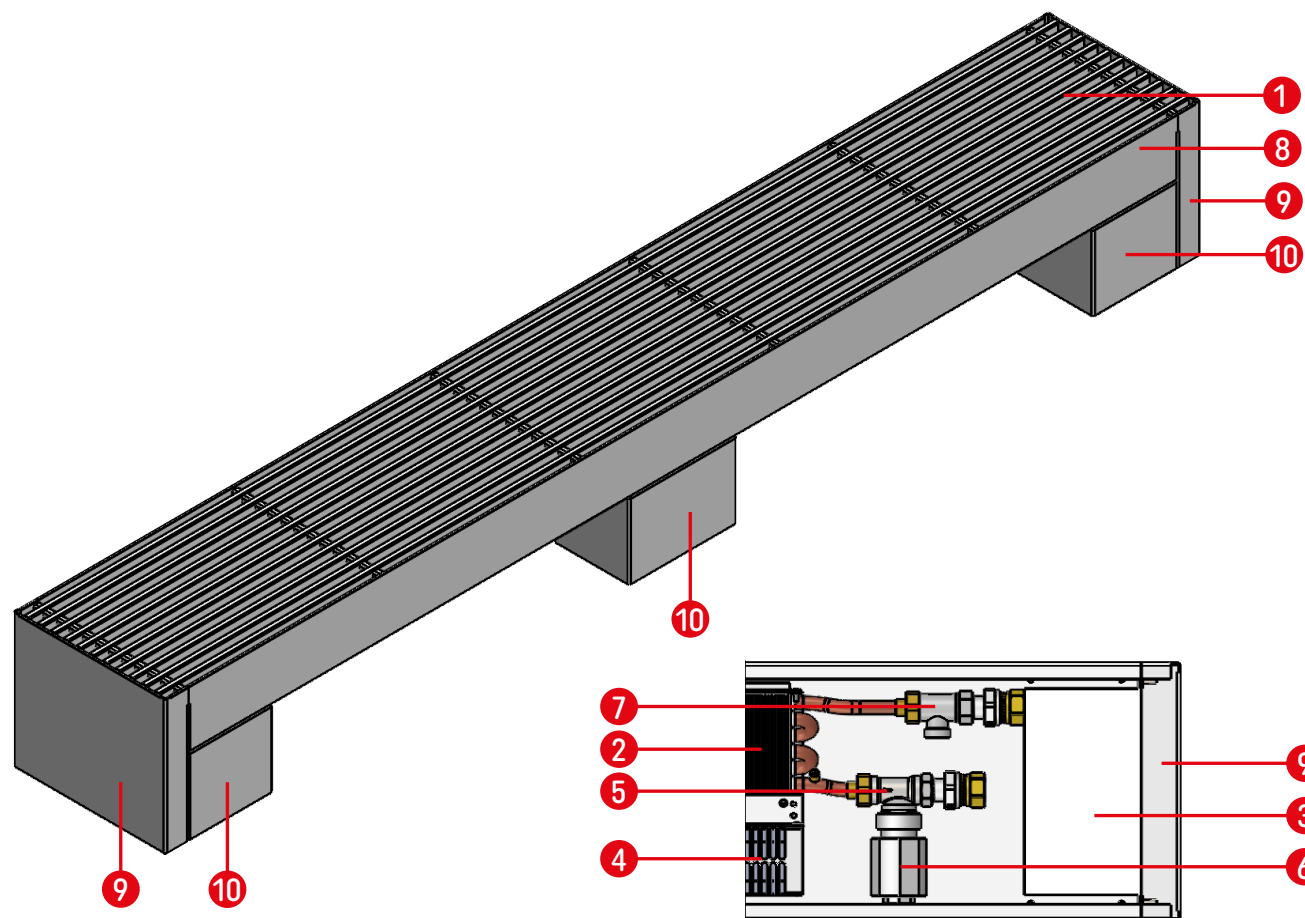




FAN ASSISTED PEDESTAL UNIT

SVKN1-17,5/19,8/L (L/P)

CONSTRUCTION



List of elements:

- ① – Linear grille painted in the same colour as the heater
- ② – Copper-aluminium heat exchanger with air vent
- ③ – Opening slot for water pipes and electrical wires
- ④ –24V DC EC fan
- ⑤ – Thermostatic valve*
- ⑥ –24V AC/DC actuator*
- ⑦ – Lockshield valve*
- ⑧ – Casing made of galvanized steel powder coated in white RAL 9003 or black RAL 9005
- ⑨ – Heater leg console/masking element
- ⑩ – Heater bracket/leg

* Note: Additional equipment, on request.

FAN ASSISTED PEDESTAL UNIT

SVKN1-17,5/19,8/L (L/P)

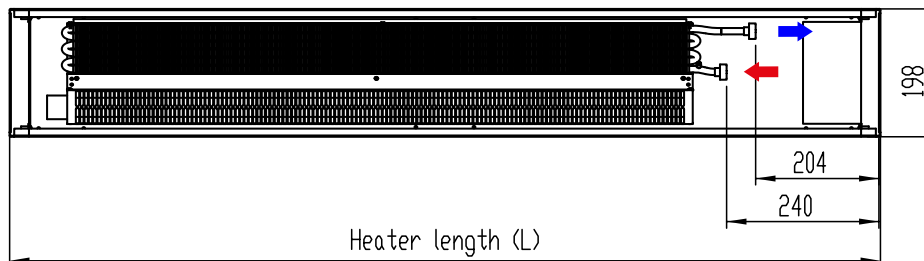
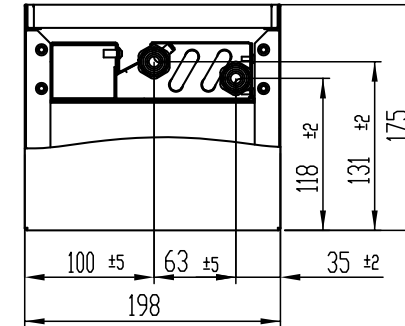
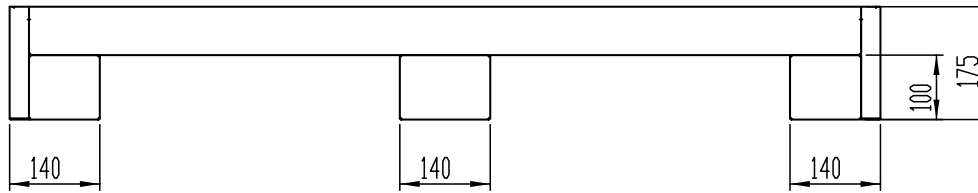
TECHNICAL DATA

DIMENSIONS

Height: 175 mm
Width: 198 mm
Lengths: 1050-2050 mm

CONNECTIONS

Water connection side: Right (P) standard, Left (L) Option, Opposite end (OPP) non-standard
Connection threads: ½" female thread
← Supply / → Return



Note:

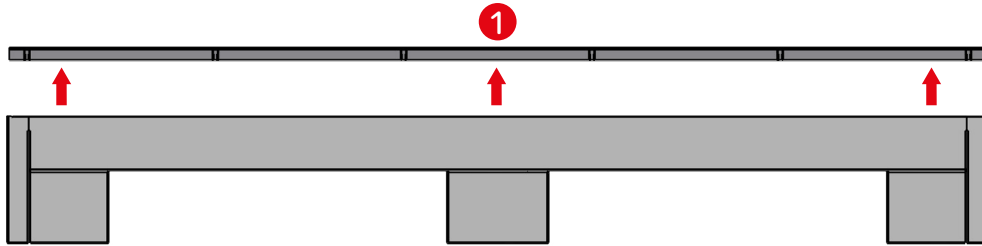
Heaters with 2 legs available for lengths: 1050-1150 mm.
Heaters with 3 legs available for lengths: 1350-2050 mm.
In case of opposite end connection, the standard heater length is extended by 150mm.

FAN ASSISTED PEDESTAL UNIT

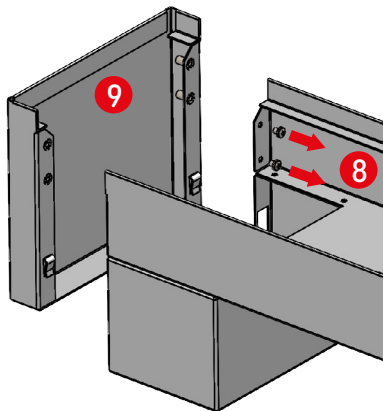
SVKN1-17,5/19,8/L (L/P)

INSTALLATION MANUAL

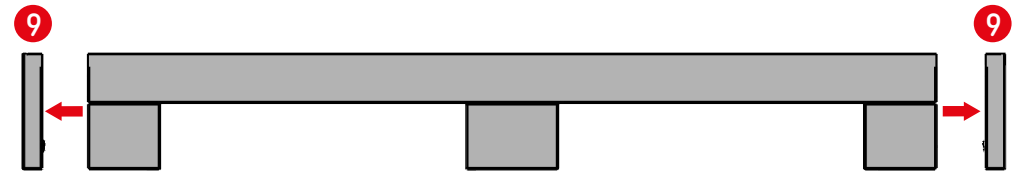
1. In order to install the device, first remove the decorative grille (1).



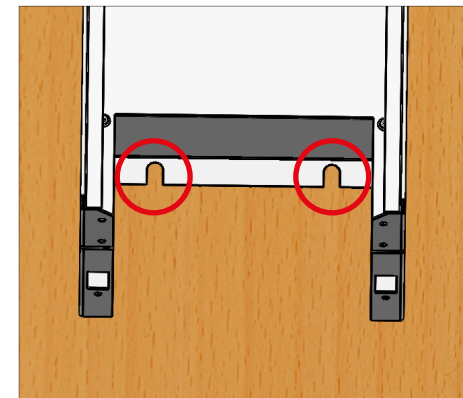
2. Unscrew the screws securing the heater legs masking elements (9) to the heater casing (8).



3. Remove the heater legs masking elements - consoles (9) and place the heater in the final installation location.



4. Mark the places where the holes will be made for the heater mounting elements supplied with the device.

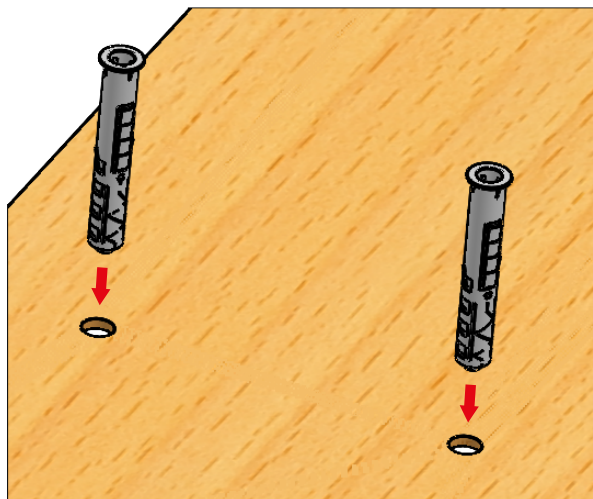


FAN ASSISTED PEDESTAL UNIT

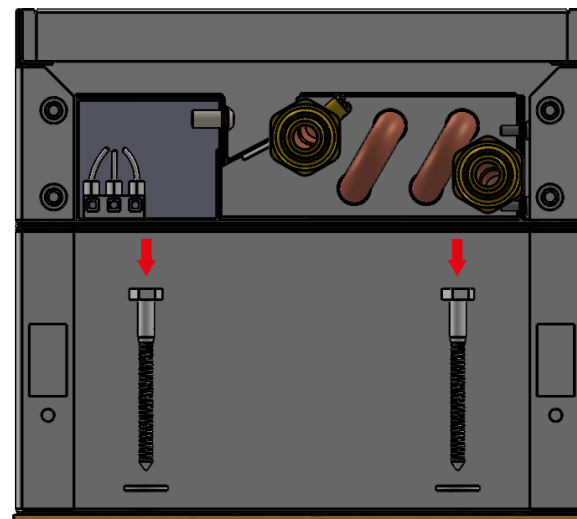
SVKN1-17,5/19,8/L (L/P)

INSTALLATION MANUAL

5. Prepare holes and insert the mounting sleeves into them.



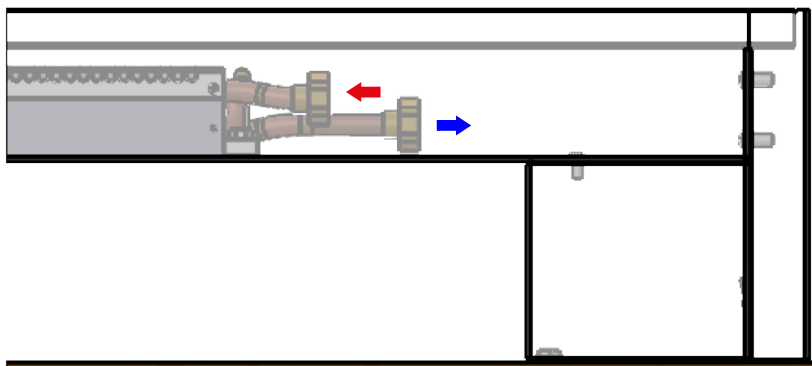
6. Proceed to install the heater. First, fix the heater into the right place.



FAN ASSISTED PEDESTAL UNIT

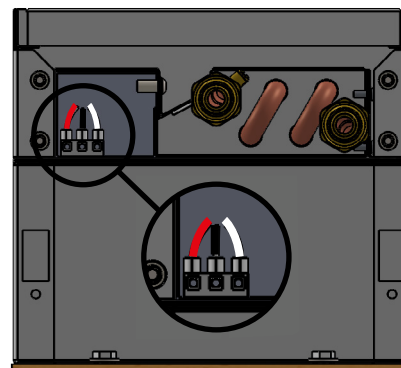
SVKN1-17,5/19,8/L (L/P)

7. The next step is to proceed with the water connection and install accessories such as valves, actuators, etc. (additional equipment). Remember to insulate all pipes and valves.



Fit the supply connection to the internal stub pipe equipped with an air vent. The connection of the half unions with the rubber o-ring have to be tightened with a force not exceeding 28 Nm. After completing the plumbing work, perform a leak test and vent the device.

8. Proceed with the electrical connections.



Fan electric connection:

- **RED:** positive (+) 24 V DC
- **BLACK:** negative (-) 24 V DC
- **WHITE:** control voltage 0-10 V DC

Recommended wire type: **LIYCY**

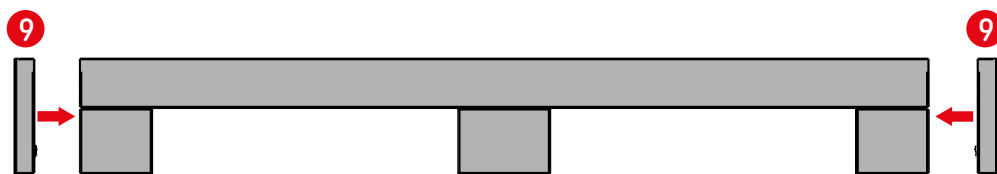
Allowed wire type: **LIY**

Electrical wires routing should be done in accordance with the applicable standards of the electrical industry. The cable cross section should be determined in accordance with electrical installation project based on the voltage drop calculations for the planned wires routing. The electrical connection should be made according to the diagram attached on the last page of this manual.

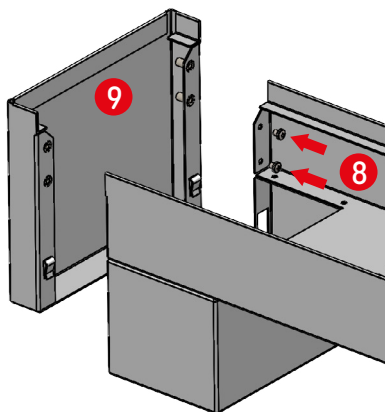
FAN ASSISTED PEDESTAL UNIT

SVKN1-17,5/19,8/L (L/P)

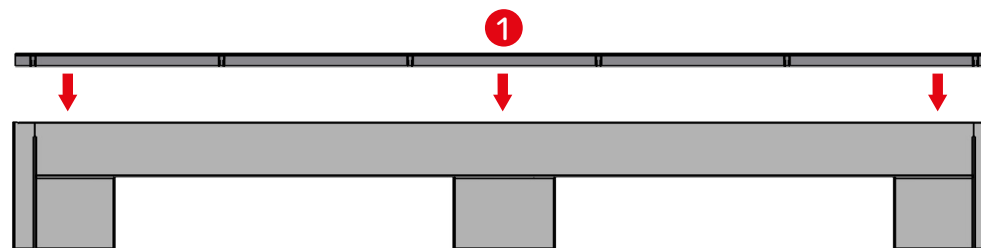
9. After the heater was installed, install all the previously unscrewed elements starting with installation of the heater legs masking elements (9).



10. It is necessary to remember to screw in all the screws securing the heater legs consoles (9) to the heater casing (8).



11. The last step is to install the decorative grille (1).



FAN ASSISTED PEDESTAL UNIT

SVKN1-17,5/19,8/L (L/P)

INSTALLATION MANUAL

MAINTENANCE MANUAL

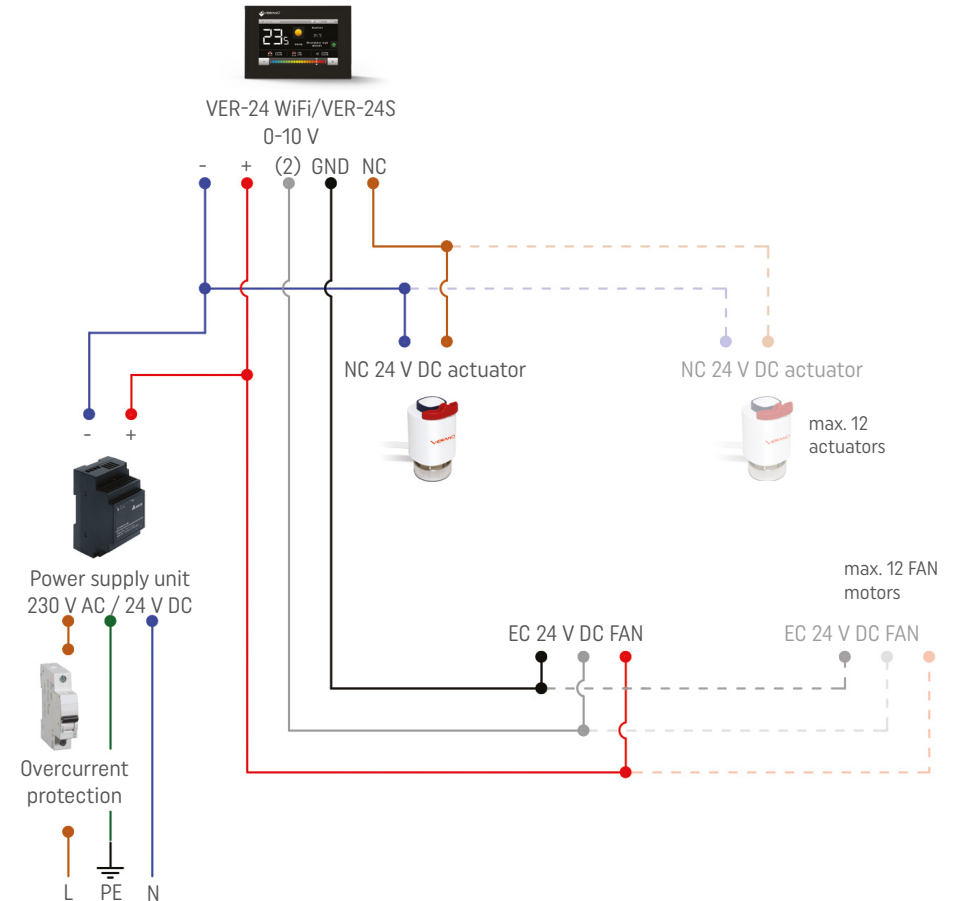
It is essential for the efficiency of the device to keep its interior clean. The device should be cleaned of dust that has settled on the heat exchanger and fans at least twice a year before winter and summer season. To avoid failure of electrical components, make sure that no water or other liquids get inside. In case of using the dust filter, it is necessary to regularly check how dirty it is and clean it gently with a vacuum cleaner. It is recommended to clean the filter systematically at least once every 3 months or more often, or replace the filter with a new one if necessary. Damage or improper operation resulting from contamination of the device interior is not subject to warranty repair or replacement.

To clean the inside of the device, follow the steps below:

- disconnect the device from the power source,
- dismantle the grille and the heater legs consoles in accordance with points 1-3 of this manual,
- clean the unit elements from dust with a soft-bristle brush or compressed air,
- the remaining dirt should be cleaned with a slightly damp cloth without detergents,
- install the heater legs consoles and the grille on the device in accordance with points 9-11 of this manual.

NOTE: During the heating period, perform maintenance on the cold device.

AN EXAMPLE OF AN ELECTRIC WIRING DIAGRAM



NOTE: Only properly skilled and trained personnel, holding licenses and observing applicable standards can install electric connections. Power can only be switched back on when the correctness of the whole wiring was checked and approved. Due to use of safe low voltage fans the heaters can only be powered by 24 V DC voltage. It is prohibited to connect the heaters directly to 230 V AC power grid.

FAN ASSISTED PEDESTAL UNIT

SVKN1-17,5/19,8/L (L/P)